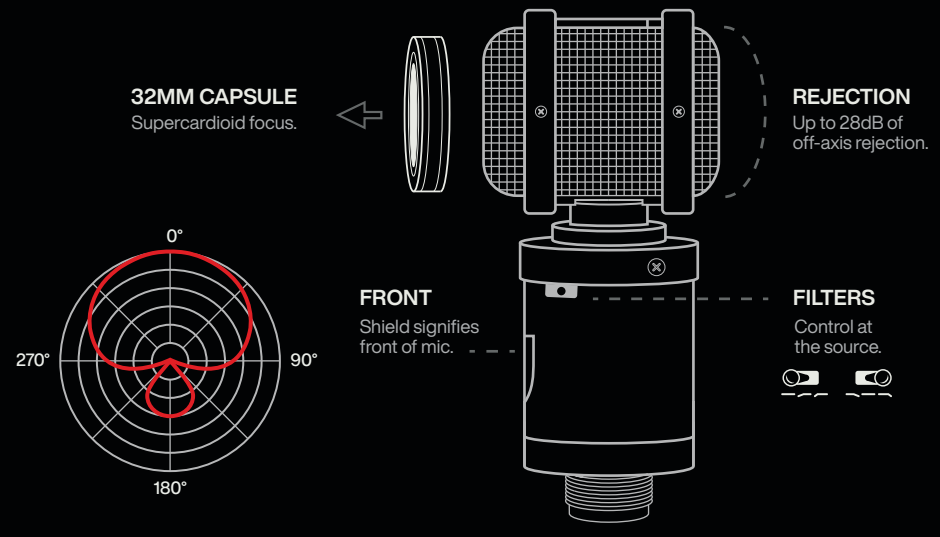


TOM MIC

QUICK START GUIDE



FILTER SETTINGS

<p>FLAT/FLAT = NO EQ - NO PROBLEM</p>	<p>80Hz/FLAT = BOTTOM-END CLEANUP</p>
<p>FLAT/12kHz = SLAP REDUCTION</p>	<p>80Hz/5kHz = ONLY THE NOTE</p>
<p>FLAT/5kHz = BOTTOM TOM</p>	<p>140Hz/FLAT = RACK ATTACK</p>

MIC PLACEMENT

<p>STUDIO Tom Mic over rim & approx. 4" from head.</p>	<p>LIVE Tom Mic in safe zone & approx. 2" from head.</p>	<p>BOTTOM Tom Mic under drum & approx. 3" from head.</p>
---	---	---