



FLEXMIC GEN 2

GOOSENECK MICROPHONE

MODELS:

FM5R-C, FM6R-C, FM7R-C,
FM5R-S, FM6R-S, FM7R-S

Follow us on social media [@EarthworksAudio](https://www.instagram.com/EarthworksAudio)

For more information, please visit
[earthworksaudio.com](https://www.earthworksaudio.com) or call 1-603-654-2433.

Version 3-FMG2, Last Updated 10/1/24

EARTHWORKS AUDIO



Thank you for purchasing an Earthworks FlexMic

INCLUDED ACCESSORIES

1 MCI Microphone Clip

GETTING STARTED

The FlexMic is a condenser microphone with active electronics.

- 48V phantom power is required
- Its output level will be higher than a dynamic microphone, so be prepared to reduce gain if your previous microphone was a dynamic

Whenever you use your FlexMic, follow these steps:

Before connecting:

- Mute the channel
- Ensure phantom power is switched OFF

After connecting:

- Switch phantom power ON
- Give the microphone at least ten seconds to fully warm up
- Un-mute the channel

Before disconnecting:

- Mute the channel
- Switch phantom power OFF



TIPS FOR PLACEMENT

The Earthworks Audio FlexMic has a large sweet spot, in terms of the width of its coverage and its performance at various distances.

For best results the person speaking should be no more than 60 degrees off-axis and 4 to 12 inches (100mm to 300mm) away from the microphone.

TROUBLESHOOTING

If you encounter issues while using your Earthworks Audio microphone, please make sure that:

- A high-quality XLR cable in good condition is used
- Phantom power is being supplied to the microphone
- All connections from microphone to output source have been securely made
- The microphone is positioned at an appropriate distance from the sound source

If you still think there's an issue with your microphone, please contact us via our website.

OPTIONAL ACCESSORIES

- FMW2 foam windscreen
- PMM1 podium mount for permanent installation



SPECIFICATIONS

Frequency Response

20Hz - 20kHz

Polar Pattern

Cardioid or Supercardioid

Sensitivity

34 dBV/Pa (20 mV/Pa)

Power Requirements

48V, 6mA

Max Acoustic Input

148 dBSPL

Self Noise

20 dBSPL (A-Weighted)

Output

XLR3-M

Minimum Output Load

1k Ohm

Dimensions

FM5R-C + FM5R-S: 16.24 in x
0.86 in (412.5 mm x 21.84 mm)

FM6R-C + FM6R-S: 20.74 in x
0.86 in (526.8 mm x 21.84 mm)

FM7R-C + FM7R-S: 24.61 in x
0.86 in (625.1 mm x 21.84 mm)

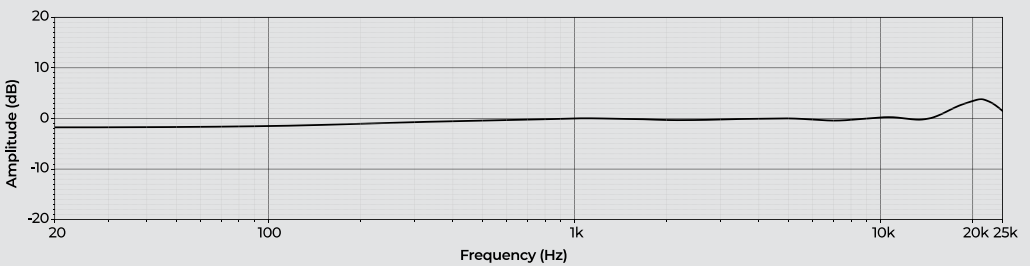
Weight

FM5R-C + FM5R-S: 0.30lb
(0.14kg)

FM6R-C + FM6R-S: 0.35lb
(0.16kg)

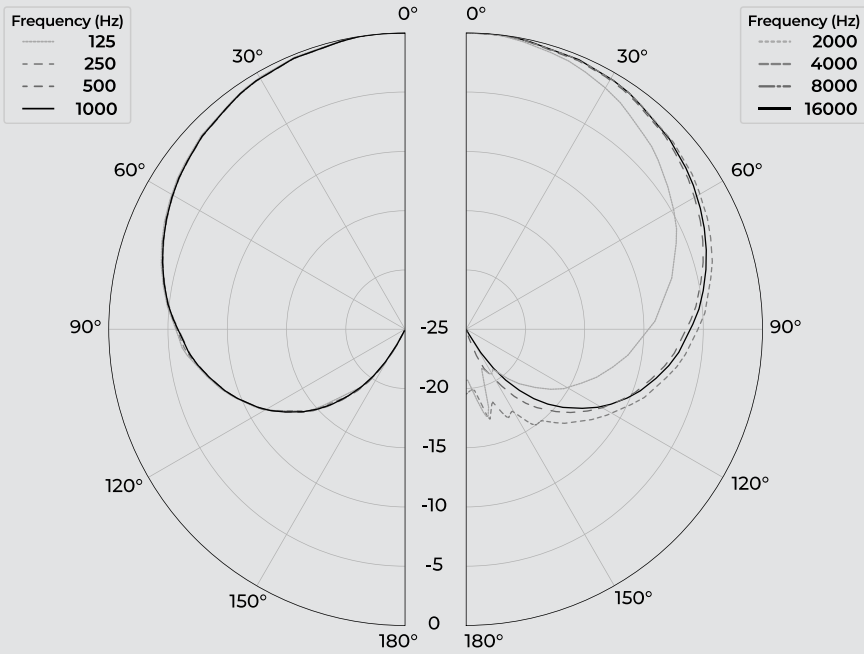
FM7R-C + FM7R-S: 0.35lb
(0.16kg)

CARDIOID FREQUENCY RESPONSE

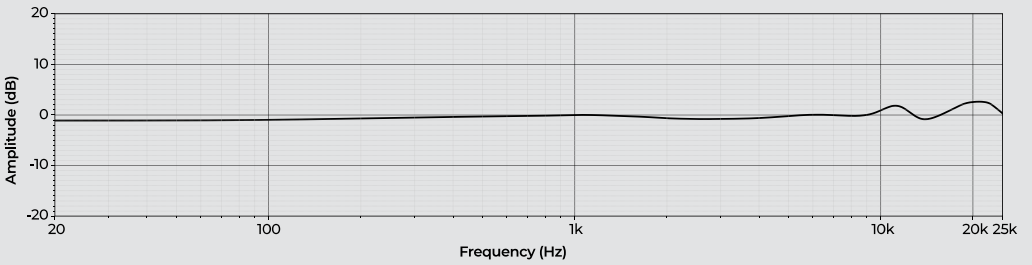




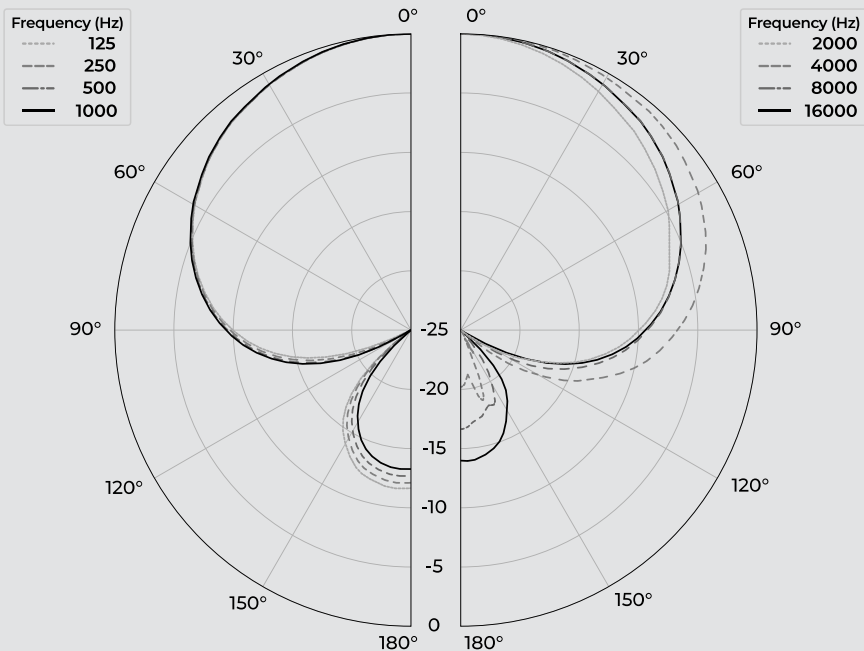
CARDIOID POLAR RESPONSE



SUPERCARDIOID FREQUENCY RESPONSE

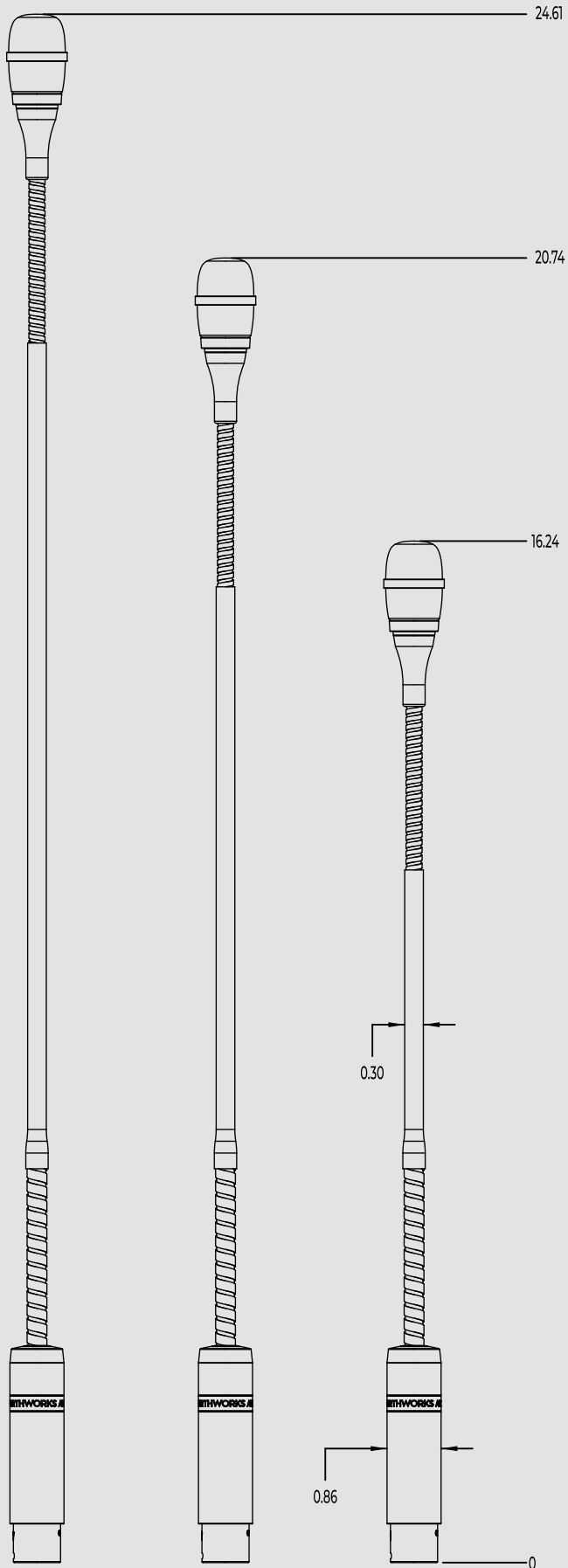


SUPERCARDIOID POLAR RESPONSE





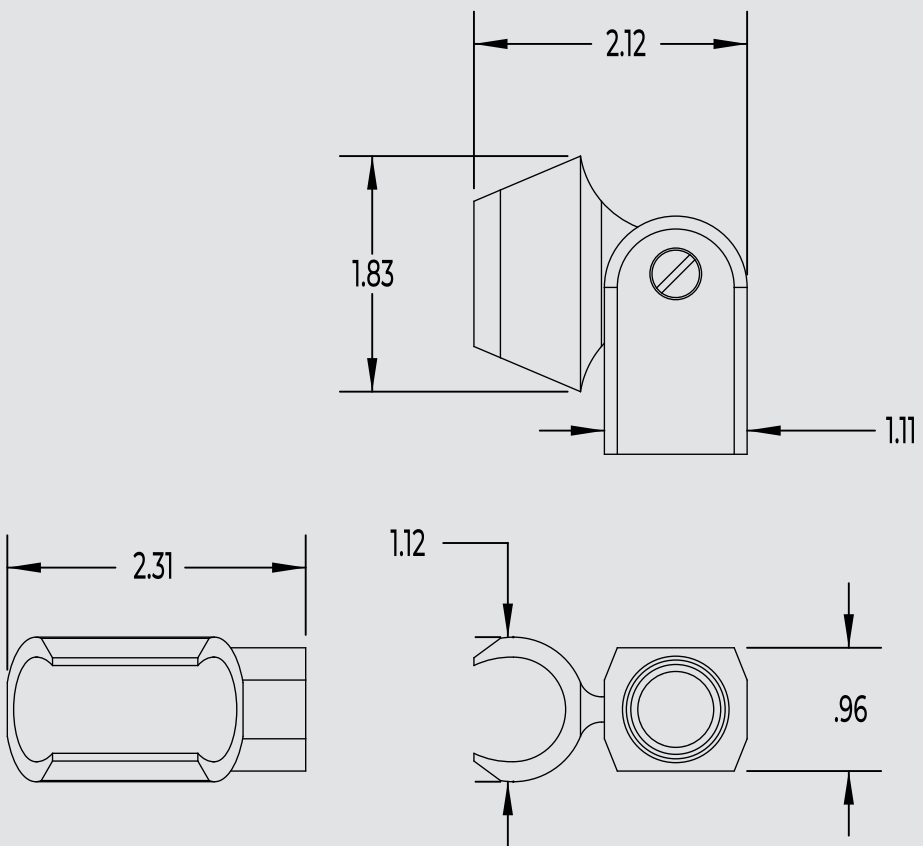
FLEXMIC GEN 2 DIAGRAM



(Measurements are in inches.)



MC1 MICROPHONE CLIP DIAGRAM



(Measurements are in inches.)



COMPLIANCE REQUIREMENTS

Earthworks Inc. declares that this product has been determined to be in compliance with CE (Conformité Européenne) requirements. The CE label indicates that the product has been assessed and meets the European Union's (EU) safety, health, and environmental requirements. The full text of our CE declaration of conformity is available at the following website: <https://earthworksaudio.com/support/documents/eu>.

Earthworks Inc. also declares that this product has been determined to be in compliance with UKCA (UK Conformity Assessed) requirements. The full text of our UKCA declaration of conformity is available at the following website: <https://earthworksaudio.com/support/documents/uk>.

LIMITED WARRANTY

All Earthworks Audio products carry a limited warranty (on parts and labor). Please register your newly purchased Earthworks Audio microphone warranty at: <https://www.earthworksaudio.com/support/product-registration/>.

This warranty applies to ONLY newly purchased Earthworks Audio microphones from Authorized Dealers. Questions regarding microphones acquired in the secondary-market, should be sent using the contact us form on our website found at <https://www.earthworksaudio.com/support/contact/>.

Any additional questions or concerns regarding Earthworks Inc. products, should be sent in writing or email to: service@earthworksaudio.com.