



evolution wired e 935



The e 935 is a cardioid vocal stage microphone specially designed to perform under pressure while cutting through the mix with its high output. Made for the working musician. Excellent sound results guaranteed, day to day, 365 days a year. First choice for rental companies.

FEATURES

- Metal construction: Rugged and reliable
- Shock-mounted capsule: Low sensitivity to impact and handling noise
- Cardioid pick-up pattern: Insulation from other on-stage signals
- Hum compensating coil: Reduces electrical interference
- Neodymium ferrous magnet with boron: Keeps microphone stable regardless of climate
- Falcon ring: Consistent sound over time

SPECIFICATIONS

Transducer principle	dynamic
Frequency response	40 - 18,000 Hz
Pick-up pattern	cardioid
Sensitivity (free field, at 1 kHz)	2.8 mV/Pa
Nominal impedance (at 1 kHz)	350 Ω
Min. terminating impedance	1 k Ω
Connector	XLR-3
Dimensions	\varnothing 47 x 151 mm
Weight	355 g

DELIVERY INCLUDES

- e 935
- pouch
- MZQ 800 microphone clamp
- quick guide
- safety guide

ARCHITECT'S SPECIFICATION

The microphone shall be a dynamic cardioid designed for vocal stage use. It shall have a rugged metal body and a shock-mounted capsule and shall be fitted with a hum compensating coil.

The frequency response shall be 40 Hz – 18,000 Hz and the sensitivity (free field, no load) shall be 2.8 mV/Pa at 1 kHz. Nominal impedance shall be 350 Ω , with a min. terminating impedance of 1 k Ω .

The microphone shall provide a 3-pin XLR connector. Dimensions shall be 47 x 151 mm (1.85" x 5.94"). Weight shall be 355 grams (12.52 oz).

The microphone shall be the Sennheiser e 935.

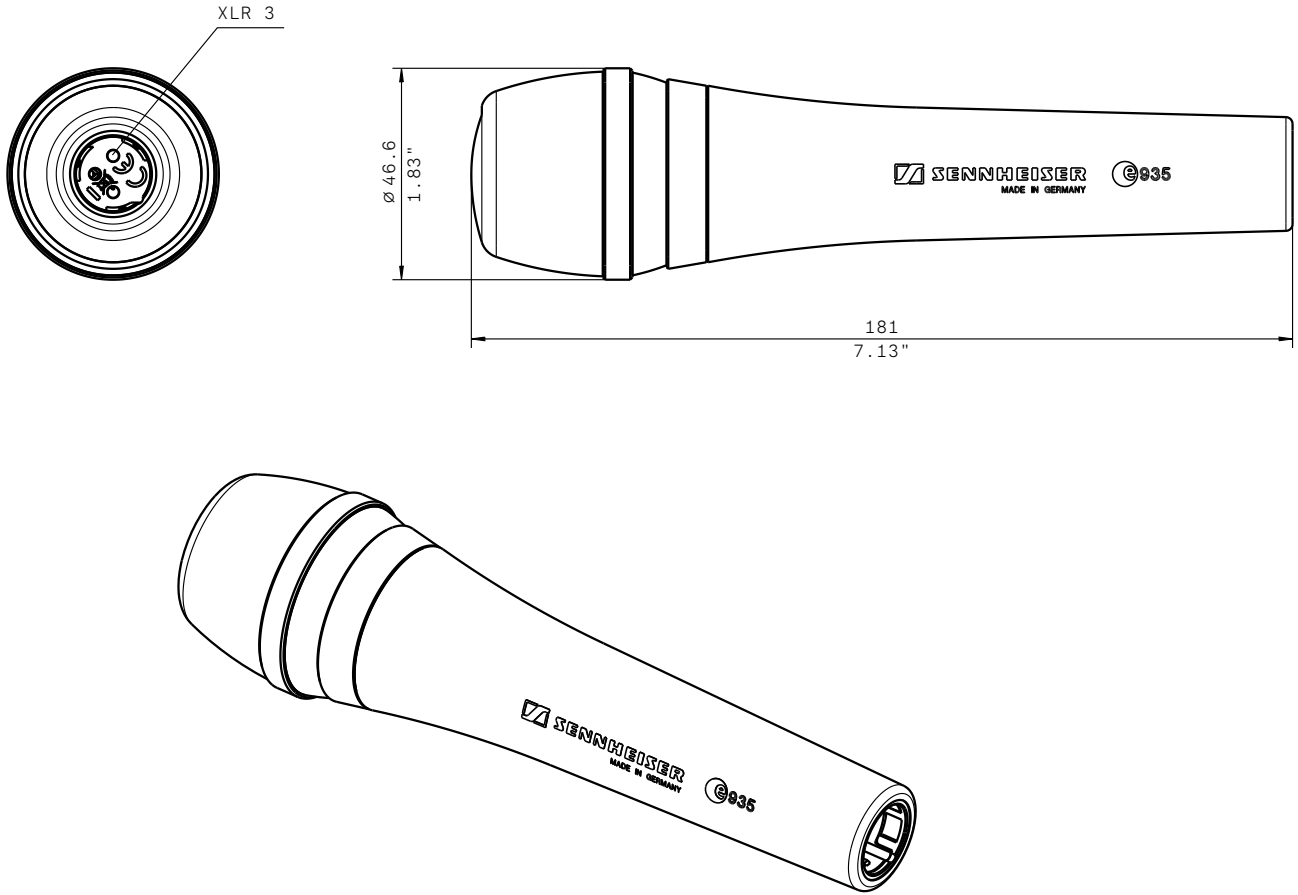
ACCESSORIES

MZQ 800	Microphone clamp	Art. no. 576183
MZW 4032-A	Foam windshield, anthracite	Art. no. 002978
MZW 4032-C	Foam windshield, blue	Art. no. 002980

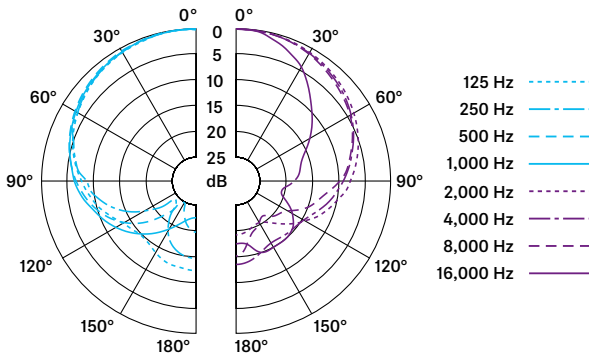


evolution wired e 935

DIMENSIONS



POLAR PATTERN



FREQUENCY RESPONSE

