

Product Specifications

SM87A Supercardioid Condenser Microphone

Overview

The SM87A is a rugged, lightweight supercardioid condenser microphone with superior rejection for clear reproduction of warm and accurate lead vocals. Designed with a three-stage shock mount for low self-noise, and a tight polar pattern that excludes unwanted sound sources, the SM87A is an excellent choice for sound reinforcement in noisy or reverberant environments.

Features

- Highly directional supercardioid pickup pattern
- Controlled low-frequency roll-off
- Very low RF and magnetic hum susceptibility
- Minimally affected by varying load impedance
- Built-in wind and pop filter
- Transducer element shock mounted
- Rugged construction for outstanding reliability
- Field-usable over a wide range of temperature and humidity conditions
- Accepts a wide variety of phantom power sources, including DIN 45 596 voltages of 11 and 52 Vdc



SM87A

Available Models

SM87A	Includes Stand Adapter and Zippered Pouch
--------------	---

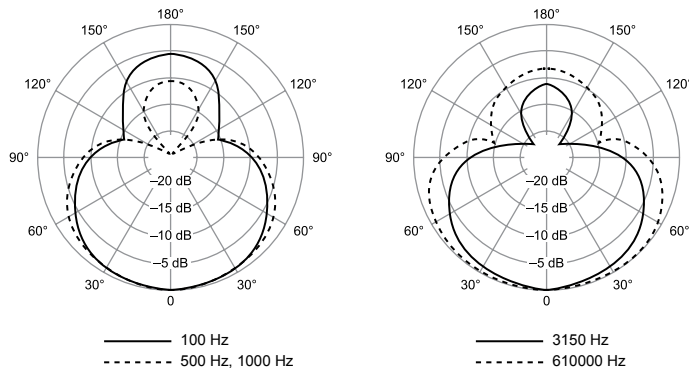
Specifications

Type	Condenser
Frequency Response	50 to 20,000 Hz
Polar Pattern	Supercardioid
Sensitivity (at 1,000 Hz)	Open Circuit Voltage: -52.5 dBV/Pa (2.4 mV) (1 Pa = 94 dB SPL)
Impedance	Rated at 150 ohms (100 ohms actual $\pm 20\%$) Recommended minimum load impedance: 800 ohms
Output Clipping Level	1000 Ohm Load at 1,000 Hz: -6 dBV (0.5 V)
Maximum SPL (at 1,000 Hz)	140.5 dB (0.25% THD, 1000 ohm load)
Self-Noise	24 dB typical, A-weighted 26 dB typical, weighted per DIN 45 405
Dynamic Range (1000 ohms)	116.5 dB (maximum SPL to A-weighted noise level)
Signal-to-Noise Ratio	70 dB at 94 dB SPL (IEC 651) S/N ratio is difference between 94 dB SPL and equivalent SPL of self-noise A-weighted
Polarity	Positive pressure on diaphragm produces positive voltage on pin 2 relative to pin 3
Power Requirements	11 to 52 vdc, 1.2 mA
Case	Aluminum construction with steel grille and satin black finish
Connector	Three-pin professional audio connector (male XLR type)
Net Weight	200 grams (7 oz)
Dimensions	192 mm (7-9/16 in.) L x 50 mm (2 in.) W at the widest point

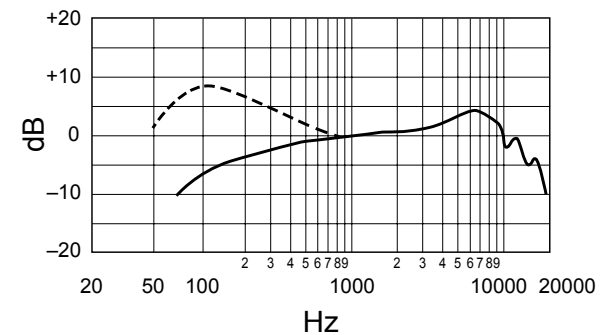
Optional Accessories and Replacement Parts

A25D	Microphone Clip	RK128	Replacement Cartridge and Shock Mount	A55M, A55HM	Isolation Mount
A85WS	Microphone Windscreen	RK214G	Replacement Screen and Grille		

Polar pattern



Frequency response



SHURE[®]
 LEGENDARY
 PERFORMANCE™

www.shure.com

©2015 Shure Incorporated